

son Prevention Tips

e Poisons Safely

Store medicines and household products locked up, where children cannot see or reach them.
Store poisons in their original containers.
Use child-resistant packaging. But remember — nothing is child-proof.

Poisons Safely

Read the label. Follow the directions on medicines and products.

Are children around? Take the product or medicine with you to answer the door or the phone.

Lock products and medicines up after using them.

Is it medicine? Call it medicine, not candy. Children learn by imitation. Take your medicines where children can't watch.

Children to Ask First

Poisons can look like food or drink. Teach children to ask an adult before eating or drinking anything.

more tips, log on to www.1-800-222-1222.info



If you think someone has been poisoned, call your poison center right away —

1-800-222-1222.

First Aid for Poisoning

Has the person collapsed or stopped breathing?

- ▶ Call **911** or your local emergency number right away.

Poison in the eyes?

- ▶ Rinse eyes with running water for 15 to 20 minutes.
- ▶ Call **1-800-222-1222.**

Poison on the skin?

- ▶ Take off any clothing that the poison touched.
- ▶ Rinse skin with running water for 15 to 20 minutes.
- ▶ Call **1-800-222-1222.**

Inhaled poison?

- ▶ Get to fresh air right away.
- ▶ Call **1-800-222-1222.**

Swallowed the wrong medicine or too much medicine?

- ▶ Call **1-800-222-1222.**

Swallowed something that's not food or medicine?

- ▶ Drink a small amount of milk or water.
- ▶ Call **1-800-222-1222.**



YOUR POISON CENTER

Call FAST to treat a poisoning!

Call FIRST to prevent a poisoning!

POISON
Herp™
1-800-222-1222

POISON
Herp™
1-800-222-1222

How Your Poison Center Helps You

In the United States, poison centers provide immediate treatment advice for poison emergencies. They also provide information about poisons and poison prevention, 24 hours a day, 7 days a week.

Products can hurt you — or even kill you — if you ingest them, breathe them, or get them in your eyes or on your skin. The poison center can help you with questions about:

- household products
- chemicals at work or in the environment
- drugs (prescription, over-the-counter, herbal, illegal, or animal medicines)
- snake bites, spider bites, and scorpion stings.



For life-saving treatment advice about any kind of poison, call **1-800-222-1222**. A specially trained nurse, pharmacist or doctor at your poison center will help. All services are free and confidential.

Poison center services are available for people with hearing problems and for non-English speakers.

When health care providers need information about treating poisonings, they also call their local poison center.

We Help People of All Ages — in All Types of Situations



WHEN CHILDREN GET INTO HOUSEHOLD PRODUCTS, POISON CENTER EXPERTS ARE JUST ONE CALL AWAY.



POISON CENTERS HELP SENIORS AND PEOPLE OF ALL AGES WHEN THEY TAKE TOO MUCH OR THE WRONG MEDICINE.



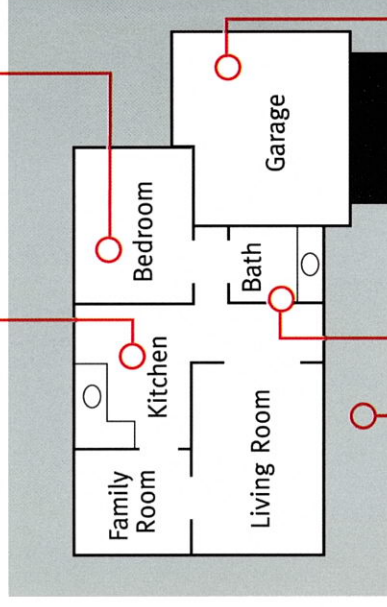
POISON CENTERS GIVE ADVICE ABOUT PREVENTING AND TREATING CHEMICAL EXPOSURES ON THE JOB.

You Can Prevent Poisonings at Home

Products and medicines can hurt you if they are used the wrong way, in the wrong amount, or by the wrong person.

Oven Cleaner
Drain Opener
Alcoholic Beverages
Furniture Polish

Medicines



Wild Mushrooms

Pesticides

Rust Remover

Gasoline

Kerosene

Paint Thinner

Lighter Fluid

Lamp Oil

Antifreeze

Windshield Washer Fluid

Toilet Bowl Cleaner

Hair Relaxer

Perm Solutions

Nail Products

Mouthwash

Have a question? All questions about poisons are smart questions.

Ask **FIRST** to prevent a poisoning!