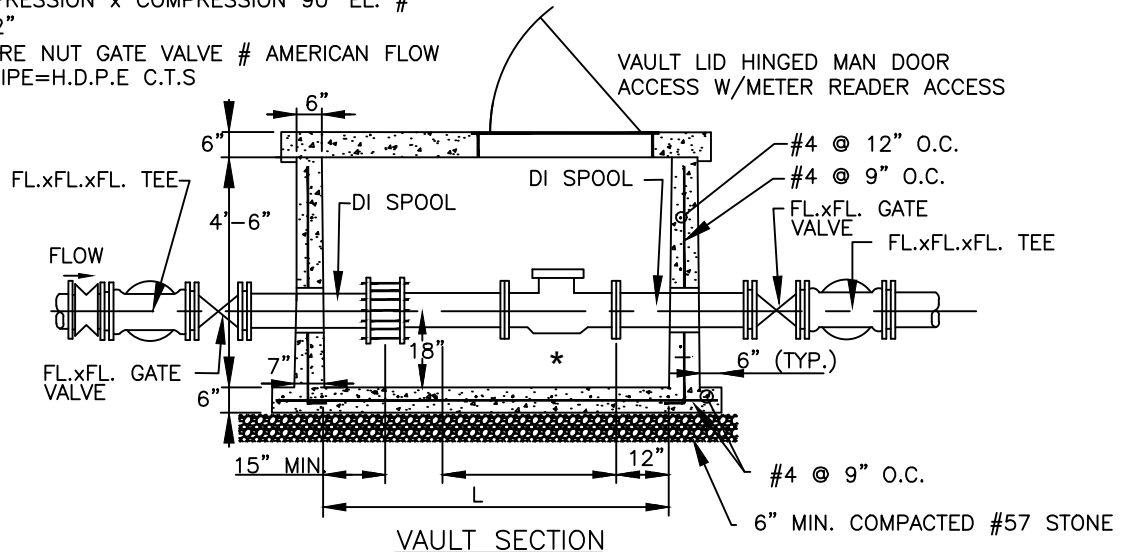


2" BYPASS (SIZE OF BYPASS TO BE DETERMINED BY ENGINEER).

2-2" COMPRESSION x I.P. MALE #H15428N-2"

2-2" COMPRESSION x COMPRESSION 90° EL. # H15526N-2"

1-2" SQUARE NUT GATE VALVE # AMERICAN FLOW  
CONTROL PIPE=H.D.P.E C.T.S



VAULT\*\* MINIMUM 1 FT. CLEARANCE ON FLANGED ENDS AND SIDES OF 3" & 4" METERS .  
MINIMUM 2 FT. CLEARANCE ON FLANGED ENDS AND SIDES OF 6" AND LARGER METERS.  
VAULT TO HAVE ATTACHED LADDER IF OVER 3' DEEP THAT MEETS CURRENT OSHA REQUIREMENTS.

METER TO BE SET 18" FROM TOP OF LID.

METER READER ACCESS DOOR TO BE CENTERED EVER METER REGISTER.

FLOOR TO HAVE DRAIN OR SUMP PUMP MAINTAINED BY CUSTOMER.

TOP OF VAULT TO BE FLUSH WITH FINISHED GRADE.

\*METER MIN.1' ABOVE BOTTOM OF VAULT

CONCRETE PAD AROUND GATE VALVE BOXES, SEE W-1



**City of Astoria**  
**Public Works Department**  
1095 Duane Street

### 3 to 10 Inch Water Service Detail

Date Adopt. 11/01/2012

Date Rev. 08/07/2023

DWG. NO.

**W-5**

Dwg. Name: W-5 3 to 10 Inch Water Service.dwg